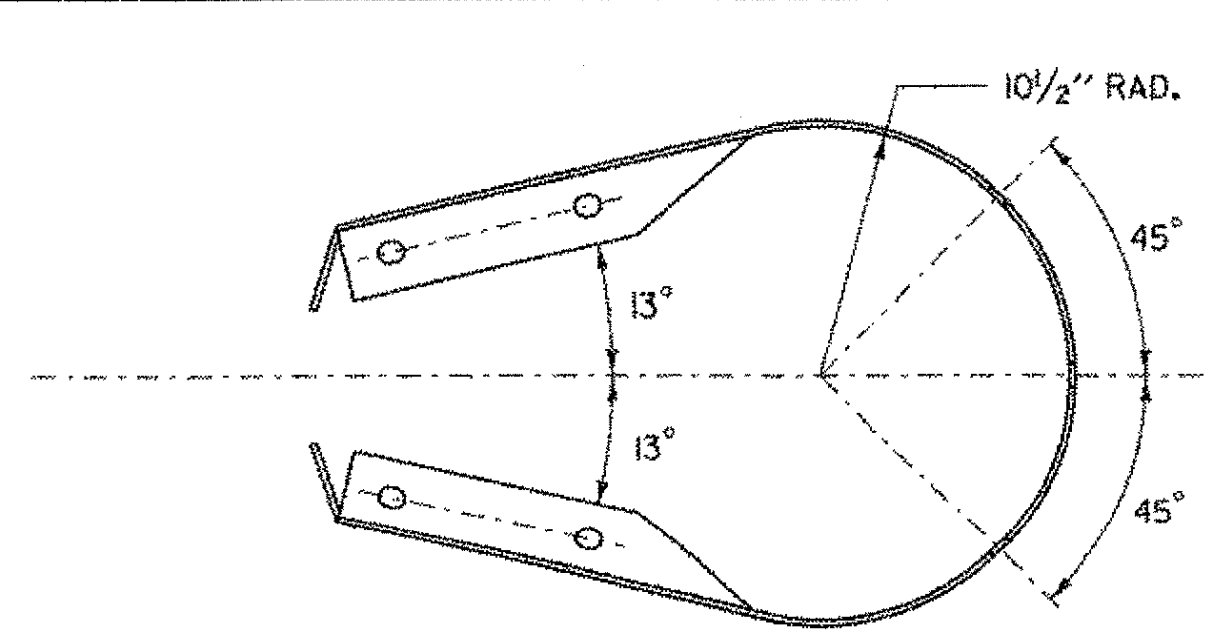
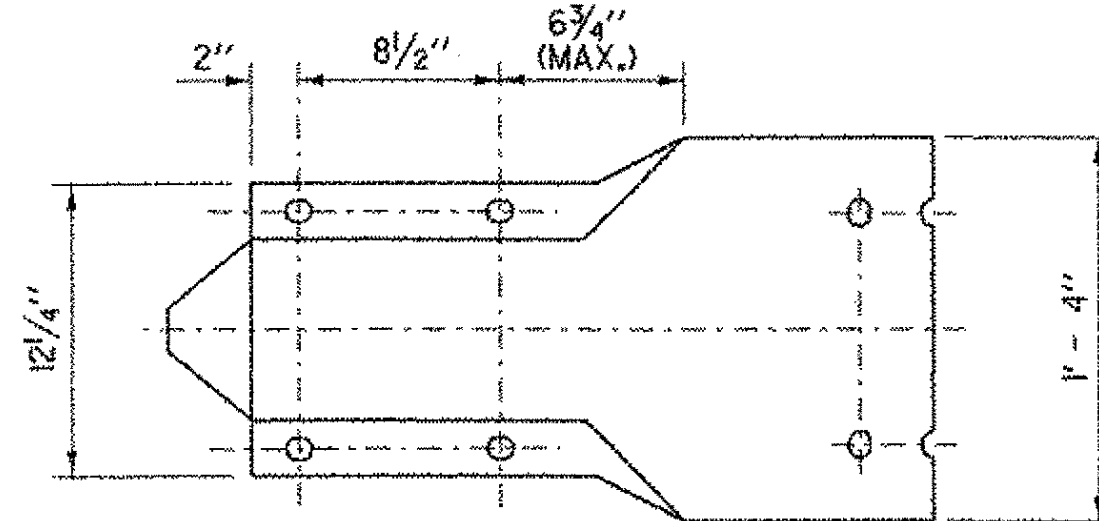


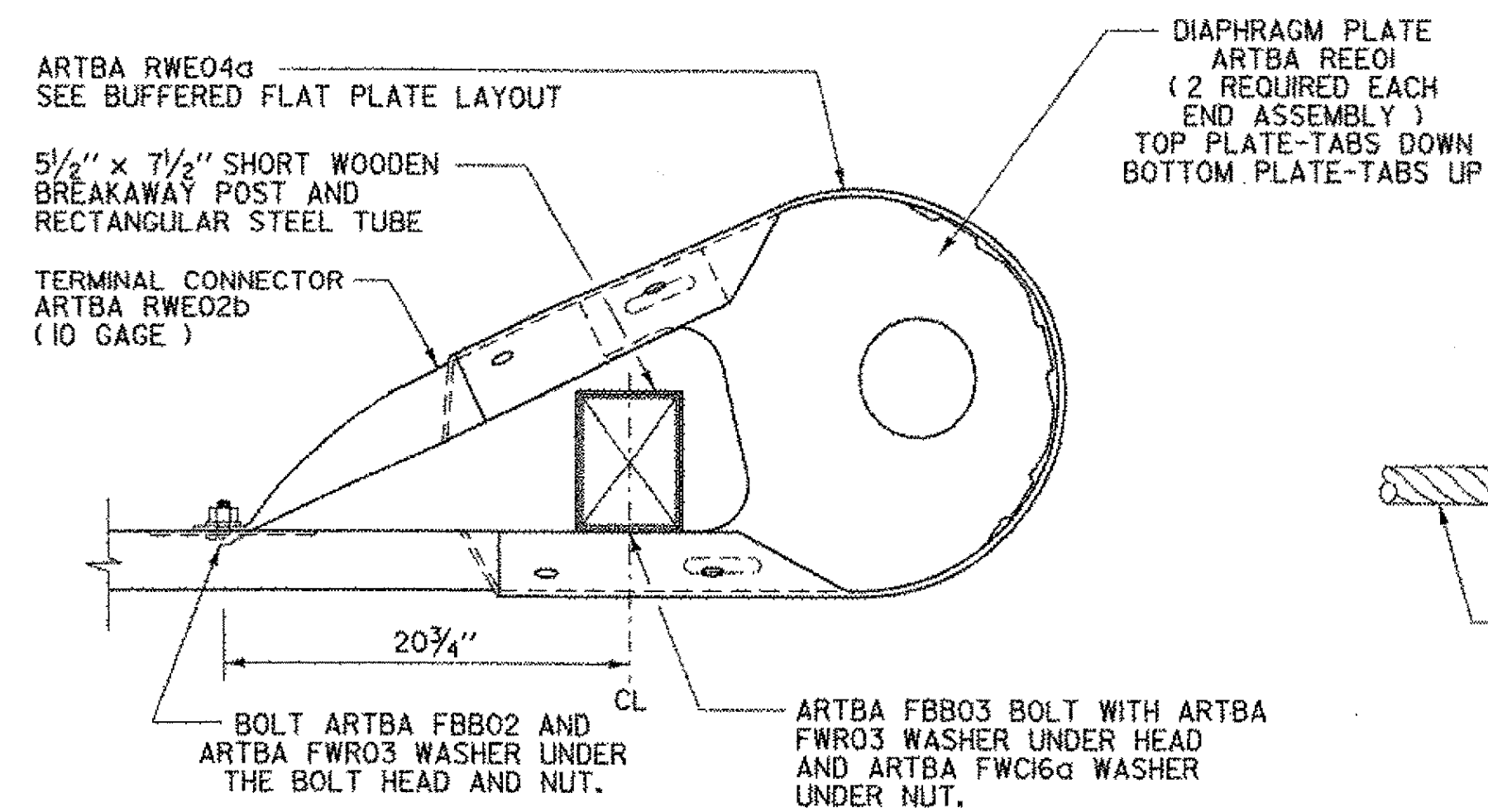
DIAPHRAGM PLATE DETAIL
12 GAGE - (2 REQUIRED EACH TERMINAL)



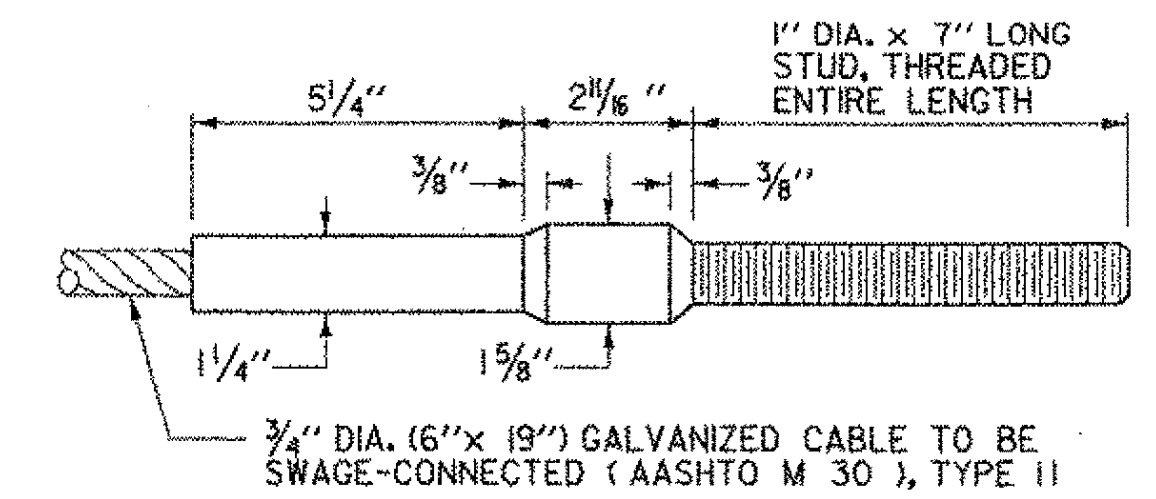
BUFFERED END SECTION PLAN



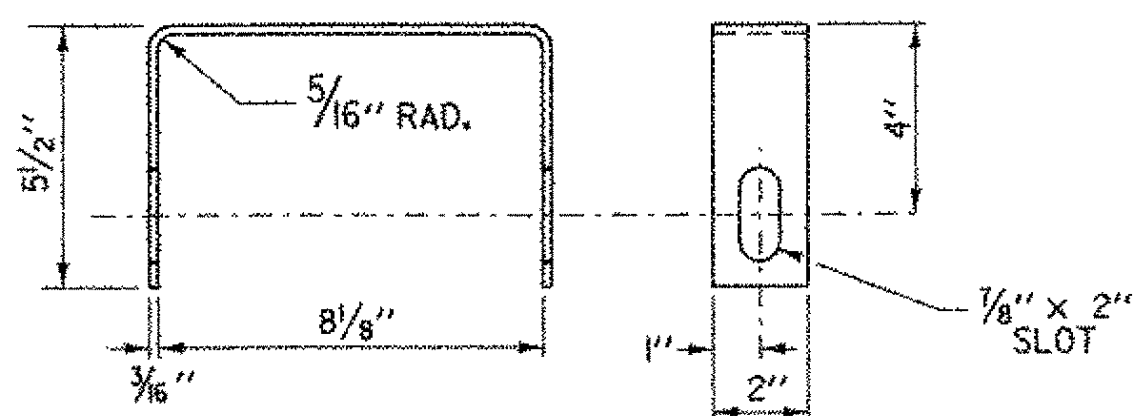
BUFFERED END SECTION ELEVATION



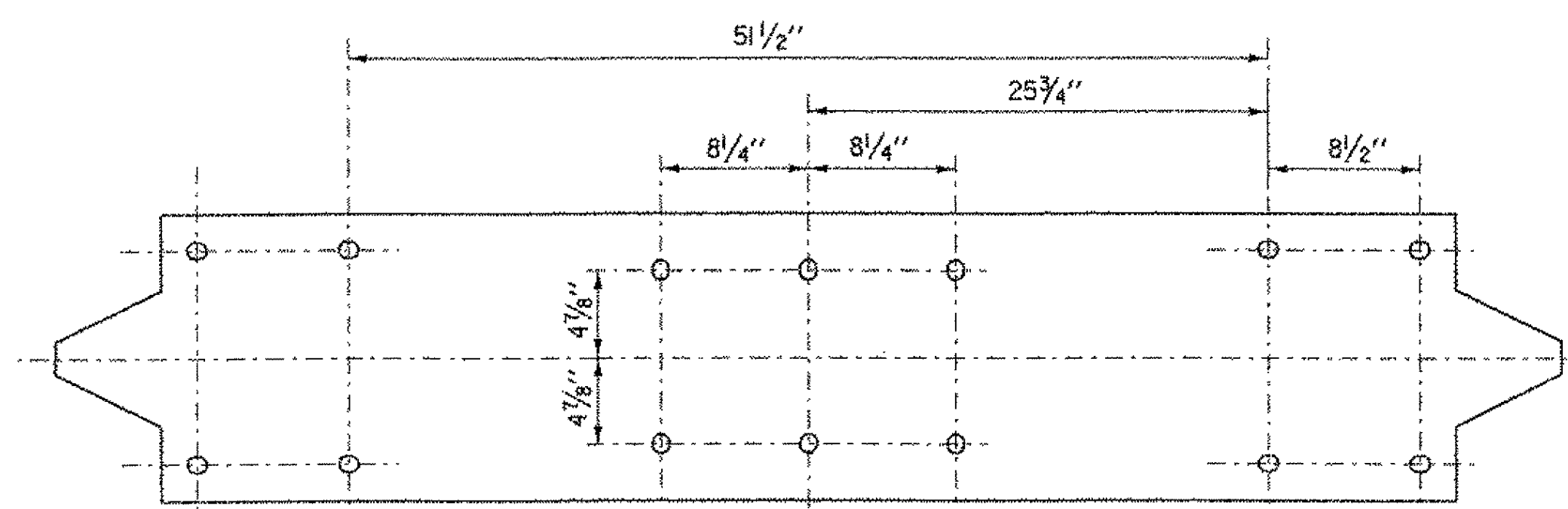
BUFFERED END ASSEMBLY



STANDARD SWAGED FITTING AND STUD CABLE ASSEMBLY
ARTBA FCA01

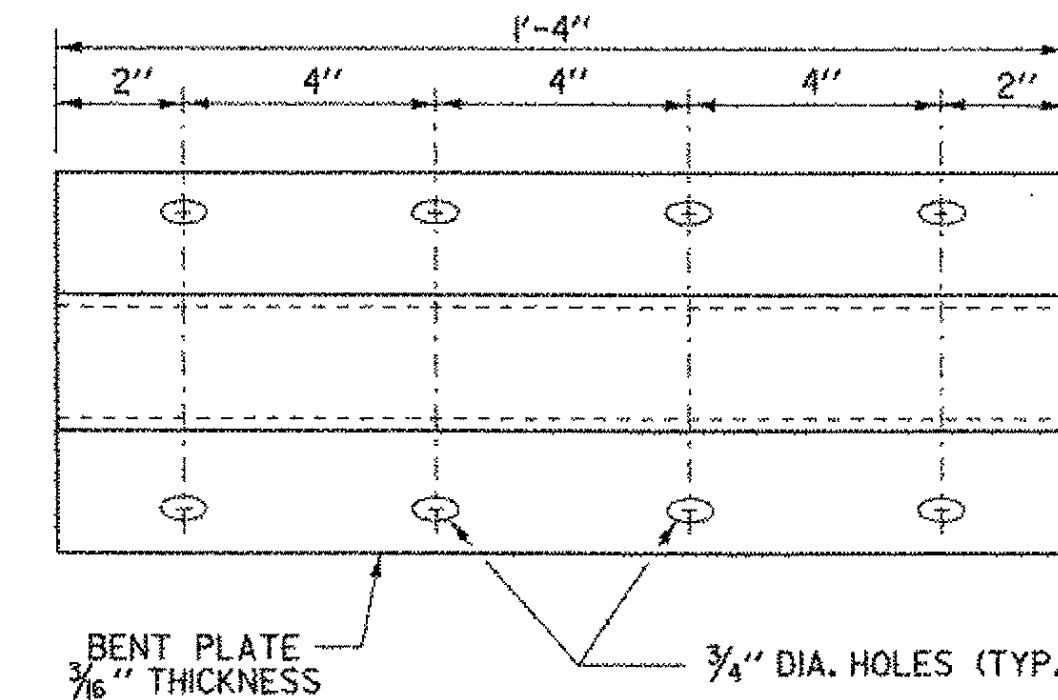


YOKE DETAILS

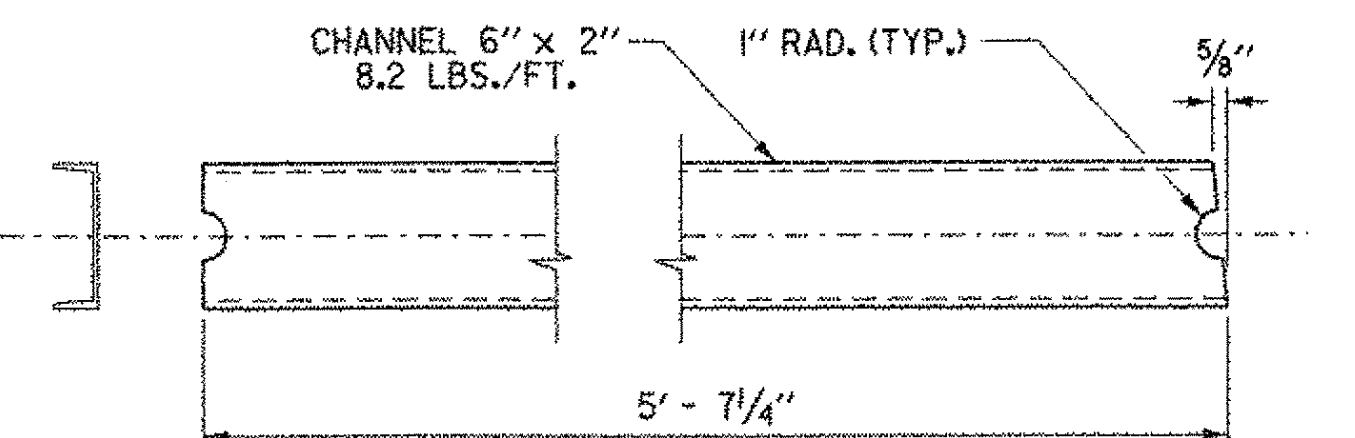
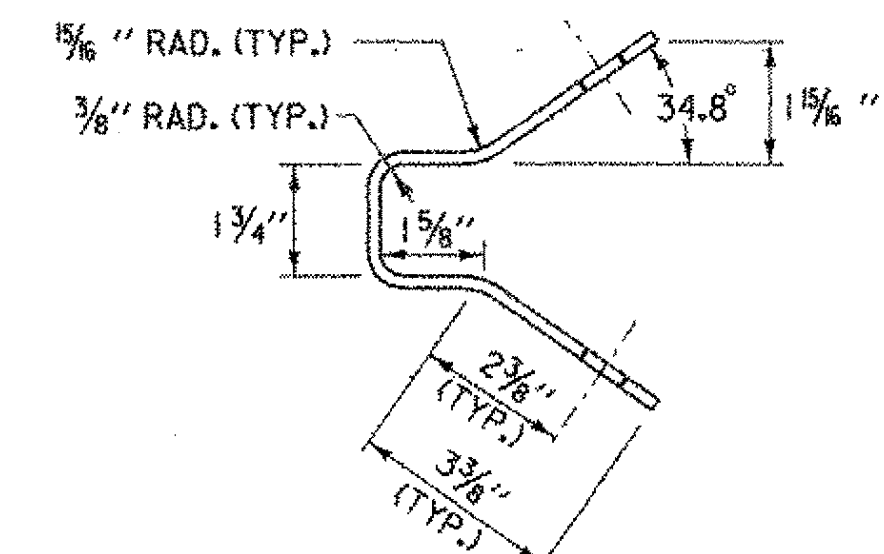


BUFFERED END SECTION FLAT PLATE LAYOUT
ARTBA RWE04c

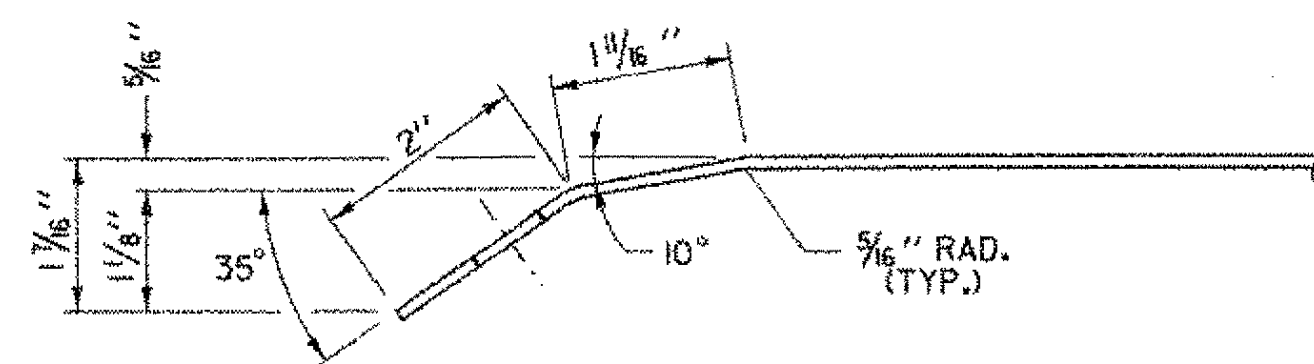
ALL SLOTS 2 9/32 inch x 1 1/8 inch
ALL BOLTS ARTBA FBB01



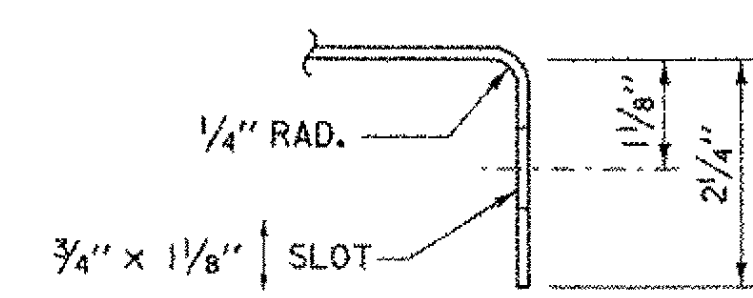
ANCHOR PLATE
ARTBA FPA01



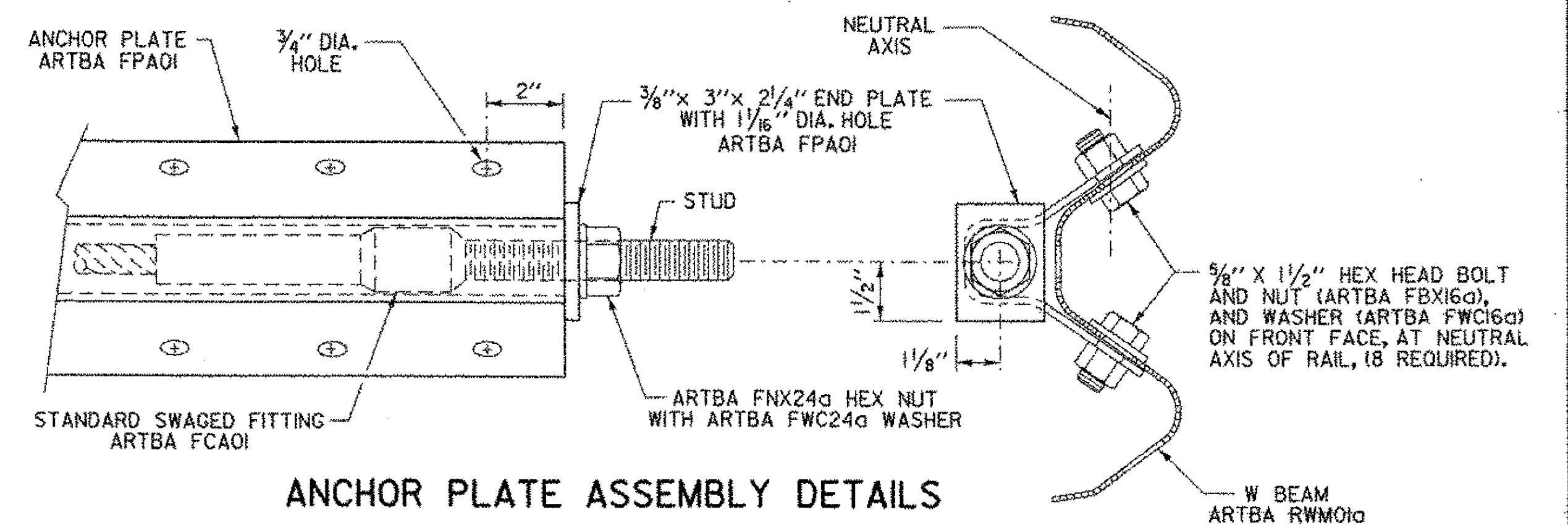
STRUT DETAILS



DIAPHRAGM PLATE DETAIL SECTION B-B



DIAPHRAGM PLATE DETAIL SECTION C-C



ANCHOR PLATE ASSEMBLY DETAILS

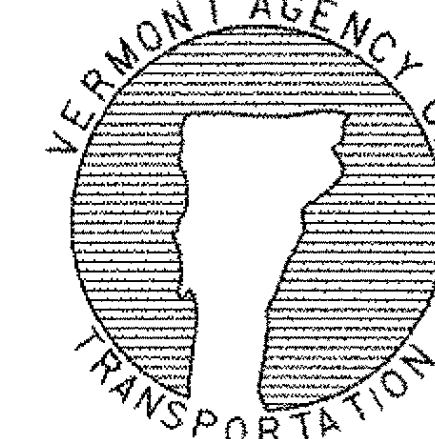
REVISIONS AND CORRECTIONS

JUNE 30, 1995 ORIGINAL APPROVAL
SEPT. 27, 2002 UPDATED TO AGREE WITH METRIC DRAWING.

APPROVED

[Signature]
DIRECTOR OF PROJECT DEVELOPMENT
[Signature]
ROADWAY DESIGN ENGINEER
[Signature]
FEDERAL HIGHWAY ADMINISTRATION

MODIFIED ECCENTRIC LOADER TERMINAL WITH WOOD POSTS (MELT)



STANDARD G-17 b