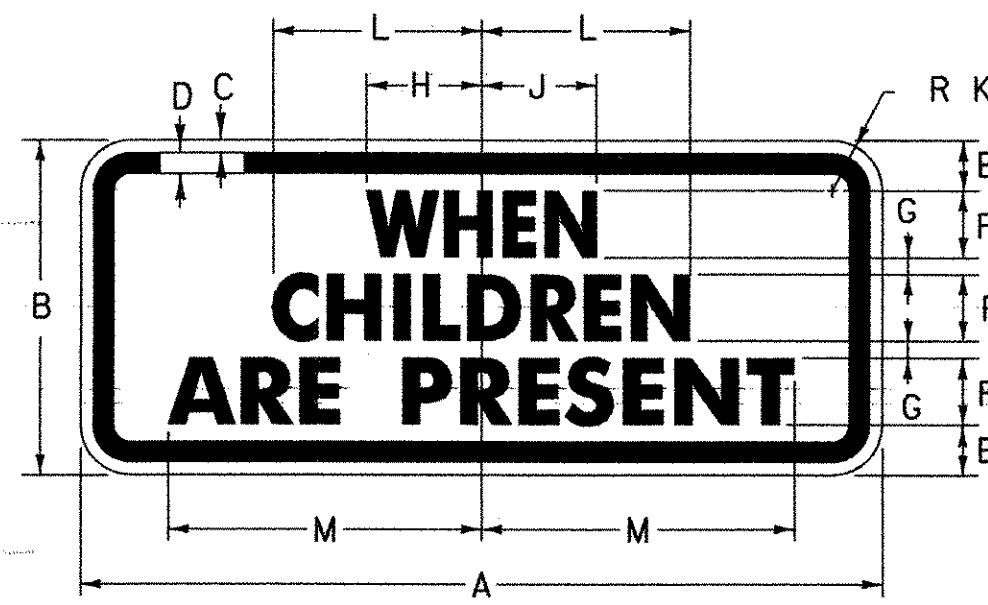


S1-1

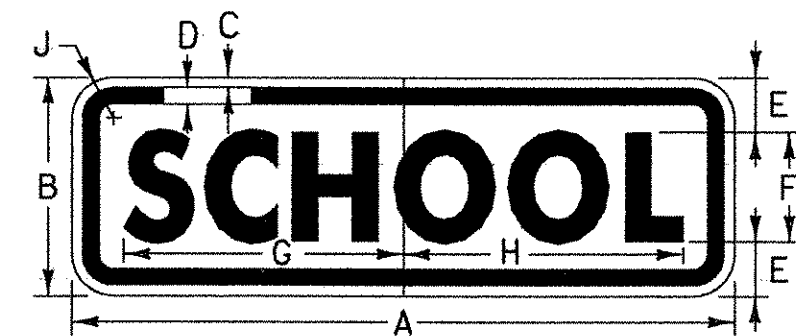
SIGN	DIMENSIONS (INCHES)							
	A	B	C	D	E	F	G	H
MIN./STD.	30	1/2	3/4	2	20	3	3 3/4	1 1/8
EXPWY.	36	5/8	7/8	2 1/2	24	3 1/2	4 1/2	2 1/4
SPECIAL	48	3/4	1 1/4	3 1/4	32	5	6	3



S4-2

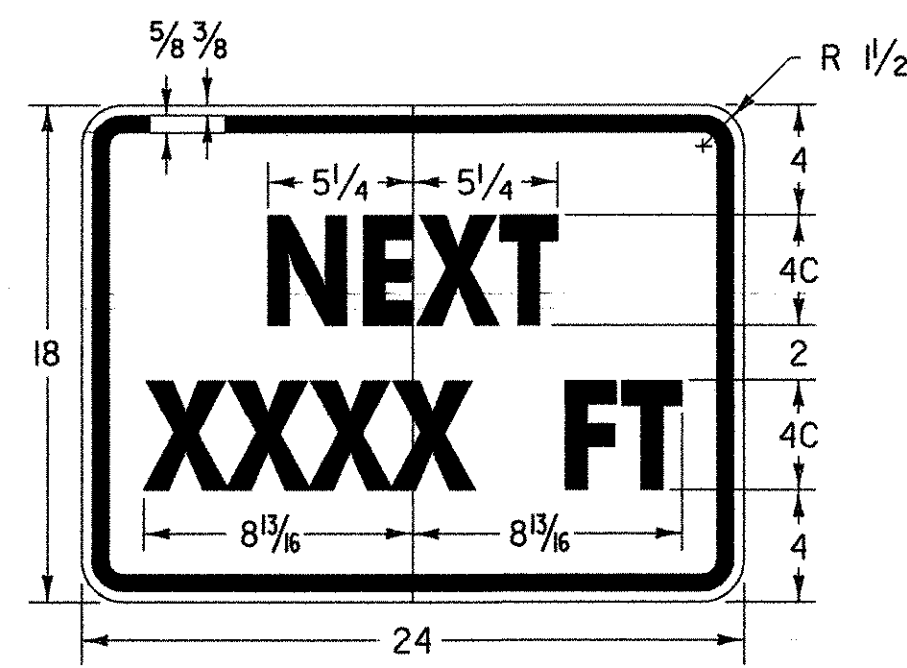
COLORS:
BORDER AND LEGEND - BLACK (NON-REFL)
BACKGROUND - WHITE (RETROREFLECTIVE)

SIGN	DIMENSIONS (INCHES)												
	A	B	C	D	E	F	G	H	J	K	L	M	
MIN./STD.	24	10	3/8	5/8	1 1/2	2D	1/2	3 1/2	3 5/8	1 1/2	6 1/4	9 5/8	
EXPWY.	36	15	5/8	7/8	2 1/4	3D	3/4	5 3/8	5 1/8	2 1/4	9 3/8	14	
SPECIAL	48	20	3/4	1 1/4	3	4D	1	7	6 5/8	3	12 1/2	18 5/8	

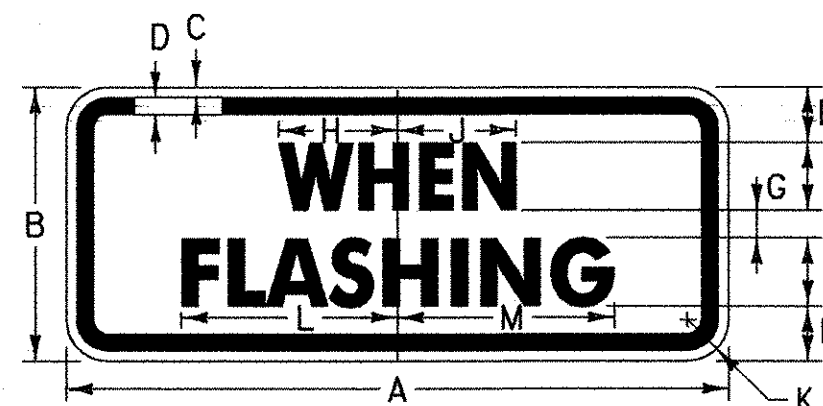


S4-3

SIGN	DIMENSIONS (INCHES)									
	A	B	C	D	E	F	G	H	J	
MIN./STD.	24	8	3/8	5/8	2	4D	10	10 1/4	1 1/2	
EXPWY.	36	12	5/8	7/8	3	6D	15	15 3/8	2 1/4	
SPECIAL	48	16	3/4	1 1/4	4	8D	20	20 1/2	3	



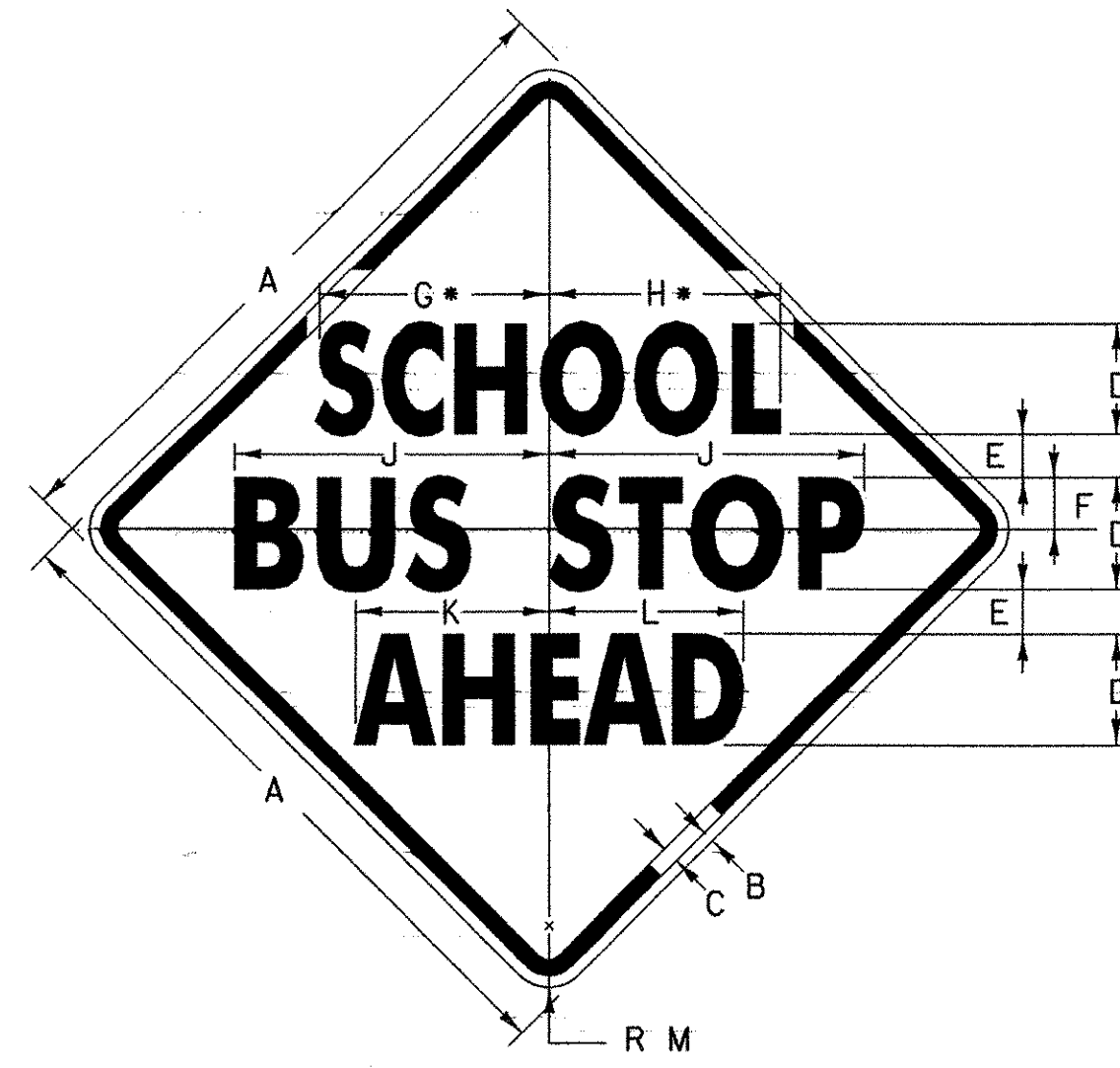
W16-4



S4-4

COLORS:
BORDER AND LEGEND - BLACK (NON-REFL)
BACKGROUND - WHITE (RETROREFLECTIVE)

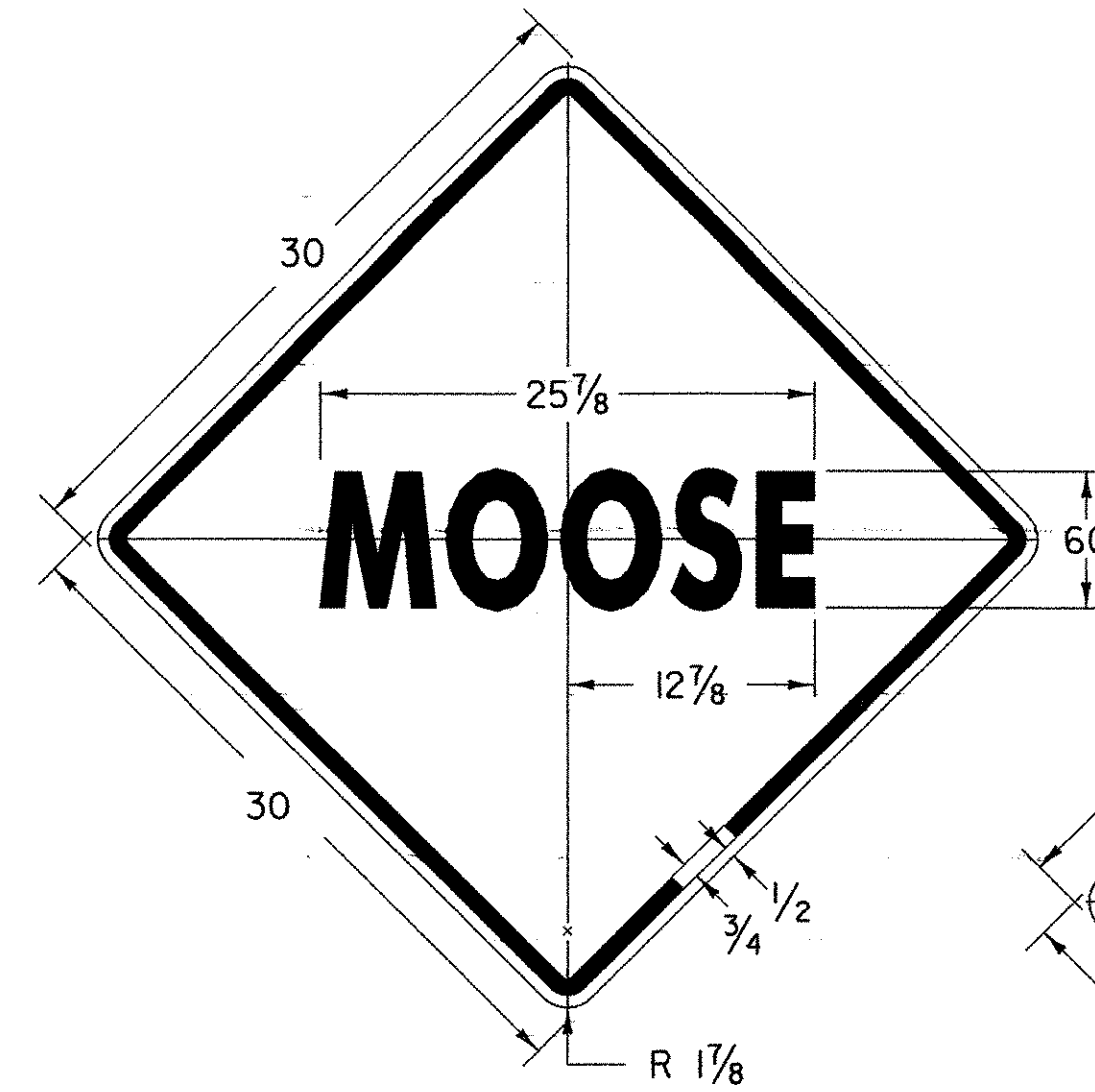
SIGN	DIMENSIONS (INCHES)												
	A	B	C	D	E	F	G	H	J	K	L	M	
MIN./STD.	24	10	3/8	5/8	2	2 1/2D	1	4 3/8	4 1/4	1 1/2	7 5/8	8 1/8	
EXPWY.	36	15	5/8	7/8	2 3/4	4D	1 1/2	6 5/8	6 3/8	2 1/4	12 3/8	12 5/8	
SPECIAL	48	20	3/4	1 1/4	4	5D	2	8 3/4	8 1/2	3	15 1/4	16 1/8	



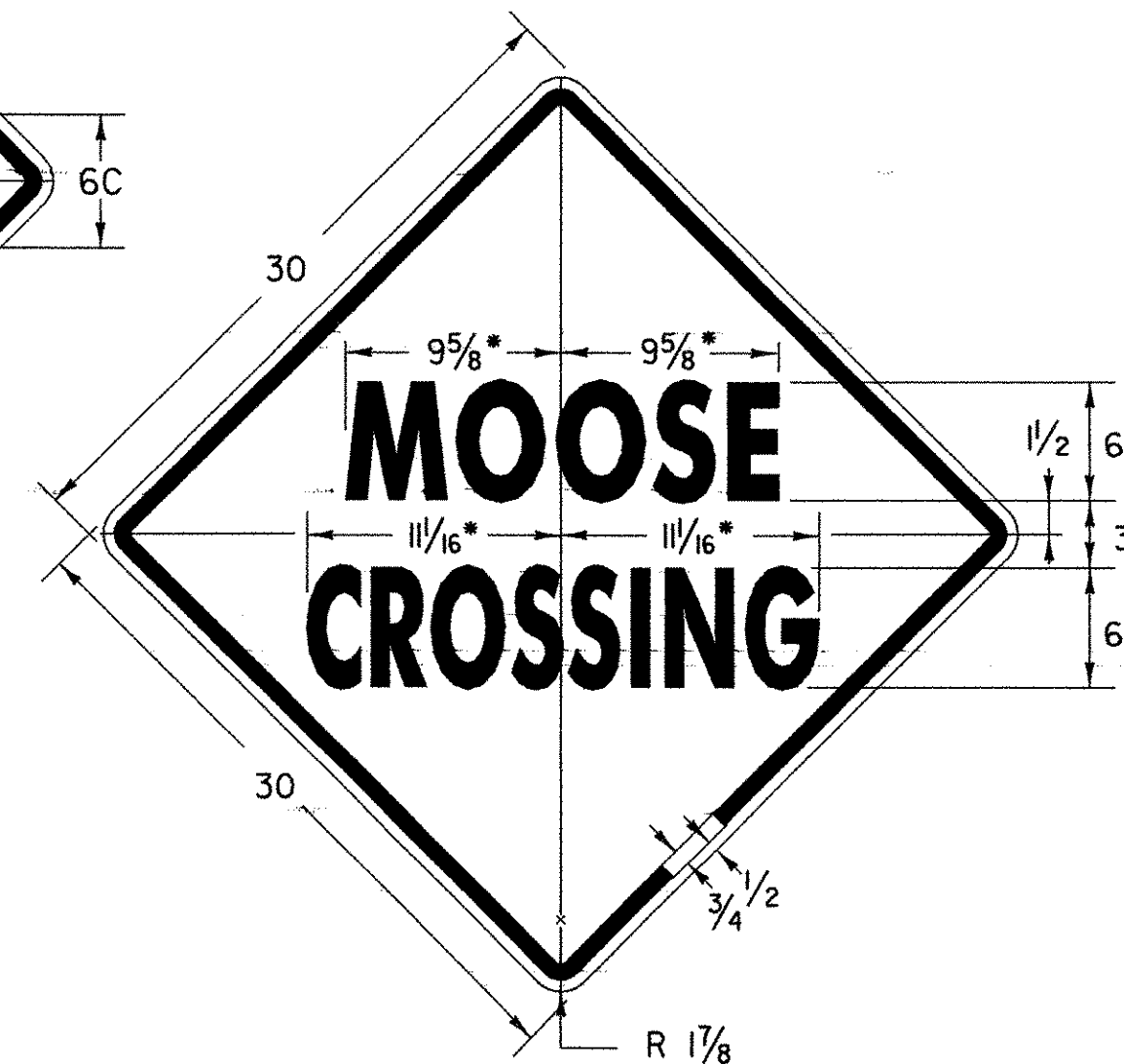
S3-1

• REDUCE SPACING 13 1/2%

SIGN	DIMENSIONS (INCHES)												
	A	B	C	D	E	F	G	H	J	K	L	M	
MIN./STD.	30	1/2	3/4	5C	2	2 1/2	10	10 1/2	14	8 1/4	9	1 1/8	
SPECIAL	36	5/8	7/8	6C	3	3	11 3/4	12 3/4	17	10	11	2 1/4	

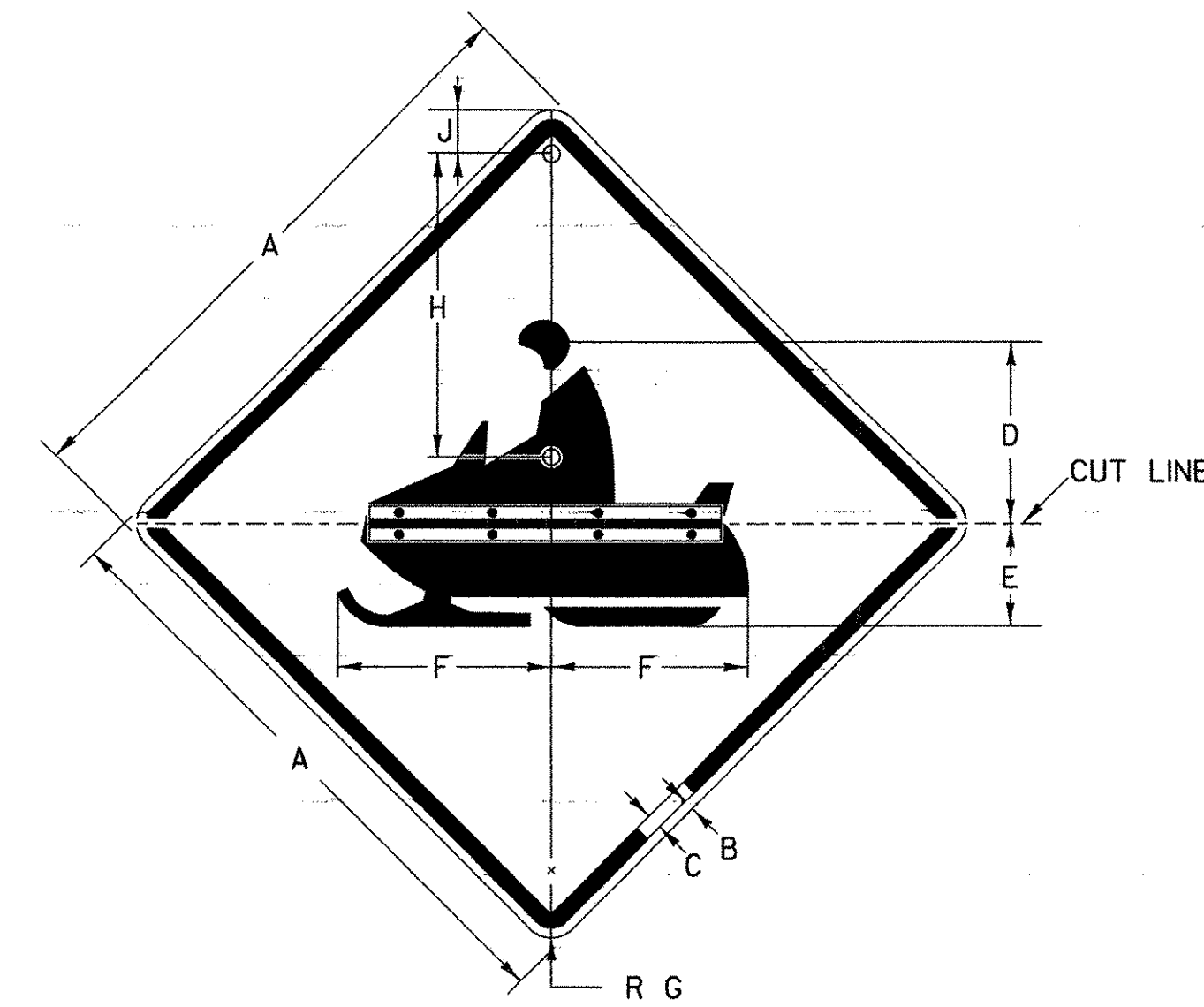


VW-001



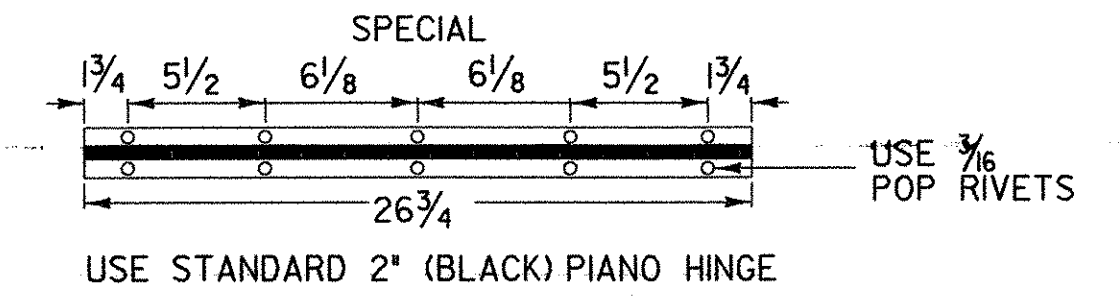
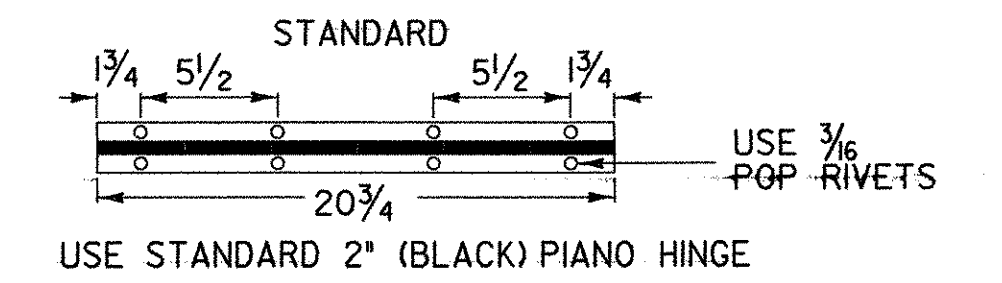
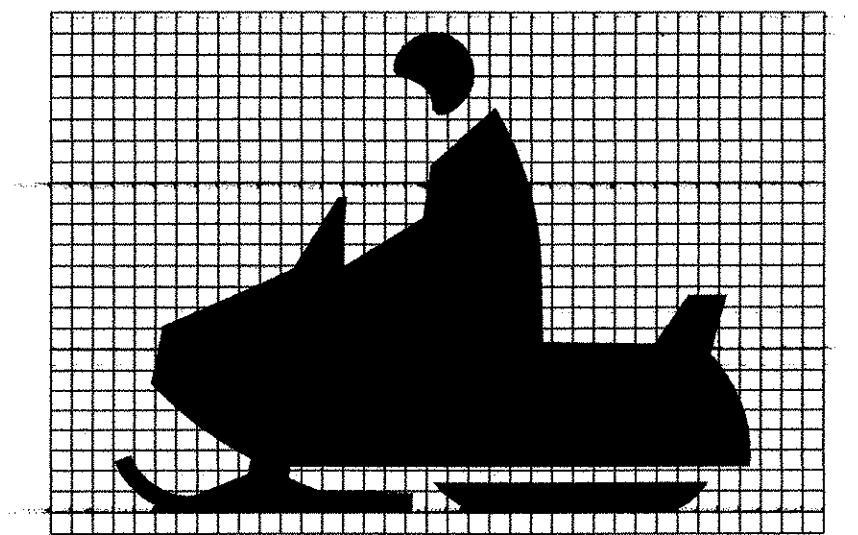
VW-000

(ALL DIMENSIONS SHOWN IN INCHES EXCEPT WHERE NOTED) • REDUCE SPACING 50%



W11-6H

SIGN	DIMENSIONS (INCHES)									
	A	B	C	D	E	F	G	H	J	
STD.	30	1/2	3/4	1 1/8	5 5/8	12 1/8	1 7/8	14	2 1/2	
SPECIAL	36	5/8	7/8	1 1/8	6 3/4	15 1/4	2 1/4	19	2 1/2	



HINGE DETAILS

NOTES

DESIGN

LETTERS, DIGITS, ARROWS, SYMBOLS, SPACINGS, AND TEXT DIMENSIONS SHALL CONFORM WITH THE "STANDARD HIGHWAY SIGNS BOOK" AND DESIGNS PRESCRIBED IN THE MANUAL ON UNIFORM TRAFFIC CONTROL DEVICES (MUTCD) ADOPTED BY THE U.S. DEPARTMENT OF TRANSPORTATION, FEDERAL HIGHWAY ADMINISTRATION (FHWA).

MATERIALS

THE SIGN BASE MATERIALS USED FOR THE WARNING SIGNS SHOWN ON THIS SHEET MAY BE ANY OF THE FOLLOWING, OF THE MINIMUM THICKNESS NOTED.

24" X 8"		
24" X 10"		
24" X 18"	36" X 12"	48" X 16"
24" X 24"	36" X 15"	48" X 20"
30" X 30"	36" X 36"	
FLAT SHEET ALUMINUM	0.080"	0.100"
		0.125"

REFLECTORIZATION

THE BACKGROUND RETROREFLECTIVE MATERIAL SHALL BE ASTM TYPE III, TYPE VIII OR TYPE IX RETROREFLECTIVE SHEETING APPLIED TO THE ENTIRE SIGN. THE TEXT, BORDER AND SYMBOLS SHALL BE LETTERING FILM OR SILK SCREENED.

COLORS

ALL THE WARNING SIGNS SHOWN ON THIS SHEET SHALL HAVE BLACK TEXT AND SYMBOLS ON RETROREFLECTORIZED YELLOW BACKGROUND UNLESS OTHERWISE NOTED. FLUORESCENT YELLOW-GREEN BACKGROUND SHALL BE USED WITH SCHOOL WARNING SIGNS. THE COLORS SHALL CONFORM WITH THE COLORS ADOPTED BY AASHTO AND APPROVED BY THE FHWA.

SPECIFICATIONS

WARNING SIGNS SHALL MEET THE VERMONT STANDARD SPECIFICATIONS FOR CONSTRUCTION "TRAFFIC SIGNS".

OTHER STDS. E-142 REQUIRED:

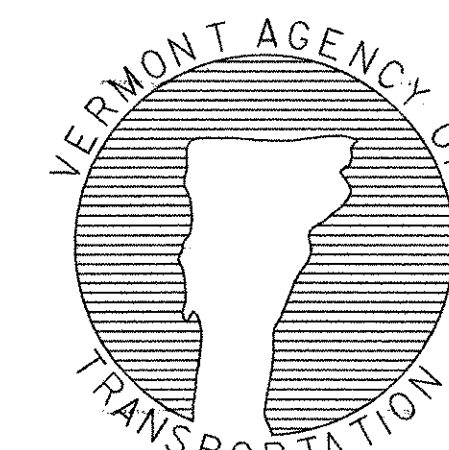
REVISIONS AND CORRECTIONS

AUG. 08, 1995 - DATE OF ORIGINAL ISSUE
JAN. 15, 1997 - ADDED HINGE DETAIL
MAY 01, 2004 - CHANGED COLOR FOR SCHOOL WARNING SIGN
CHANGED REFLECTIVE SHEETING TO TYPE III, TYPE VIII OR TYPE IX

APPROVED

DIRECTOR OF PROGRAM DEVELOPMENT
TRAFFIC OPERATIONS ENGINEER
FEDERAL HIGHWAY ADMINISTRATION

**WARNING SIGN
DETAILS**



**STANDARD
E-153**