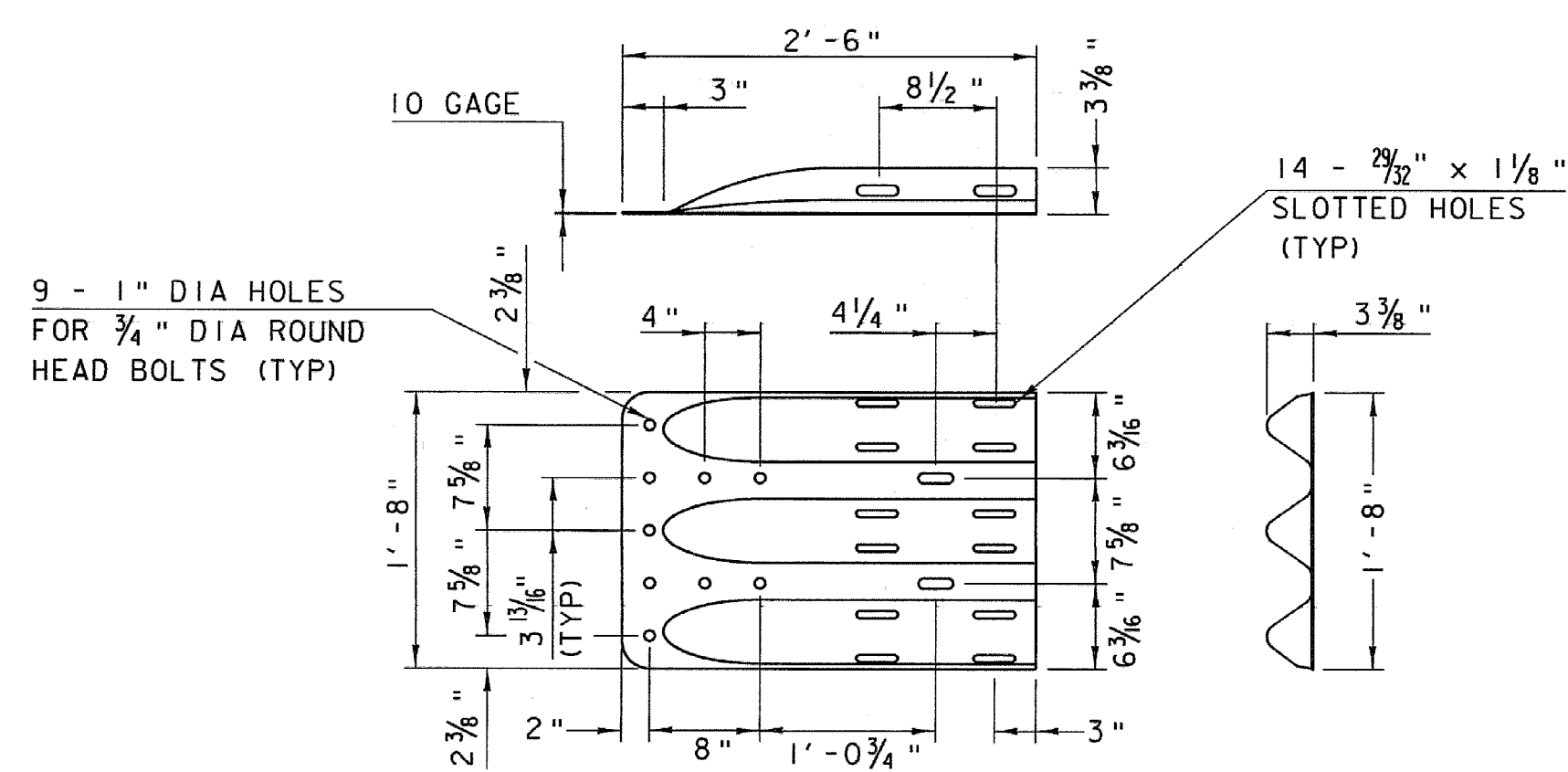


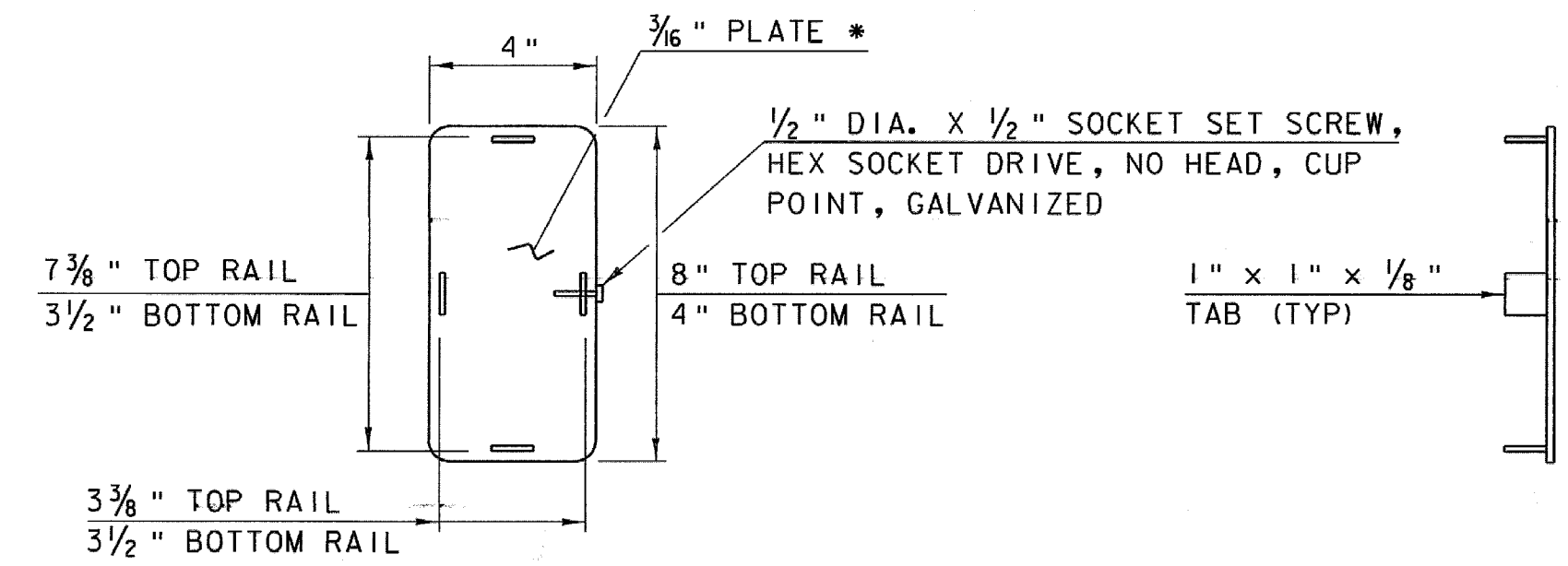
**WOOD POST AND THRIE-BEAM RAIL ASSEMBLY**



**THRIE-BEAM TERMINAL CONNECTOR (HM-TF-13/RE-67)**

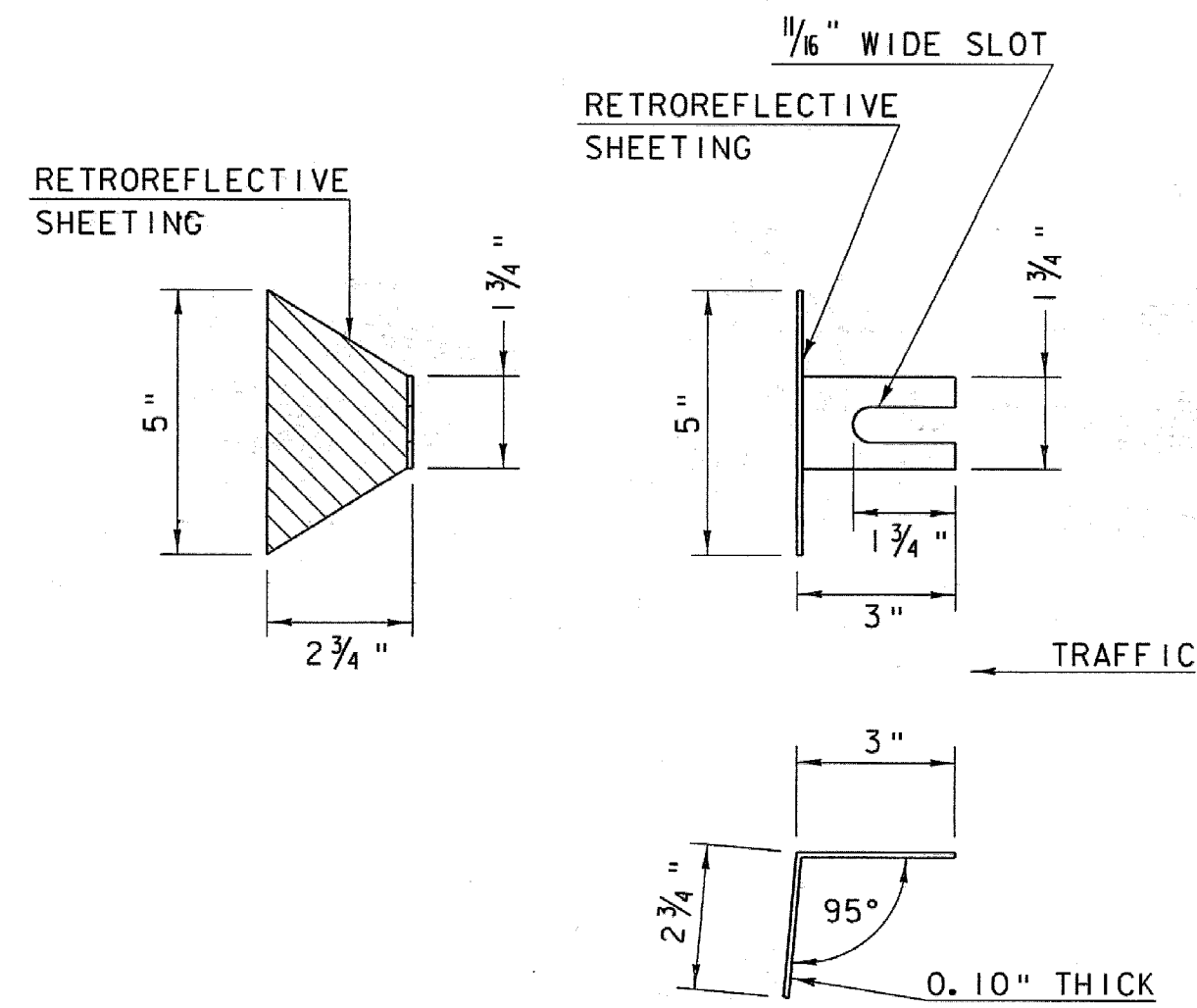
**NOTES**

1. THE RETROREFLECTORIZED ALUMINUM DELINEATION IS TO BE INSTALLED EVERY 30' (OR CLOSEST POST) WITH A 5/8" DIAMETER BOLT. DELINEATORS SHALL MEET SPECIFICATION REQUIREMENTS FOR ASTM B209 ALLOY 5052-H32.
2. ON BRIDGES WITH A SIDEWALK, DELINEATORS ARE NOT TO BE INSTALLED ON THE SIDEWALK SIDE OF THE BRIDGE.

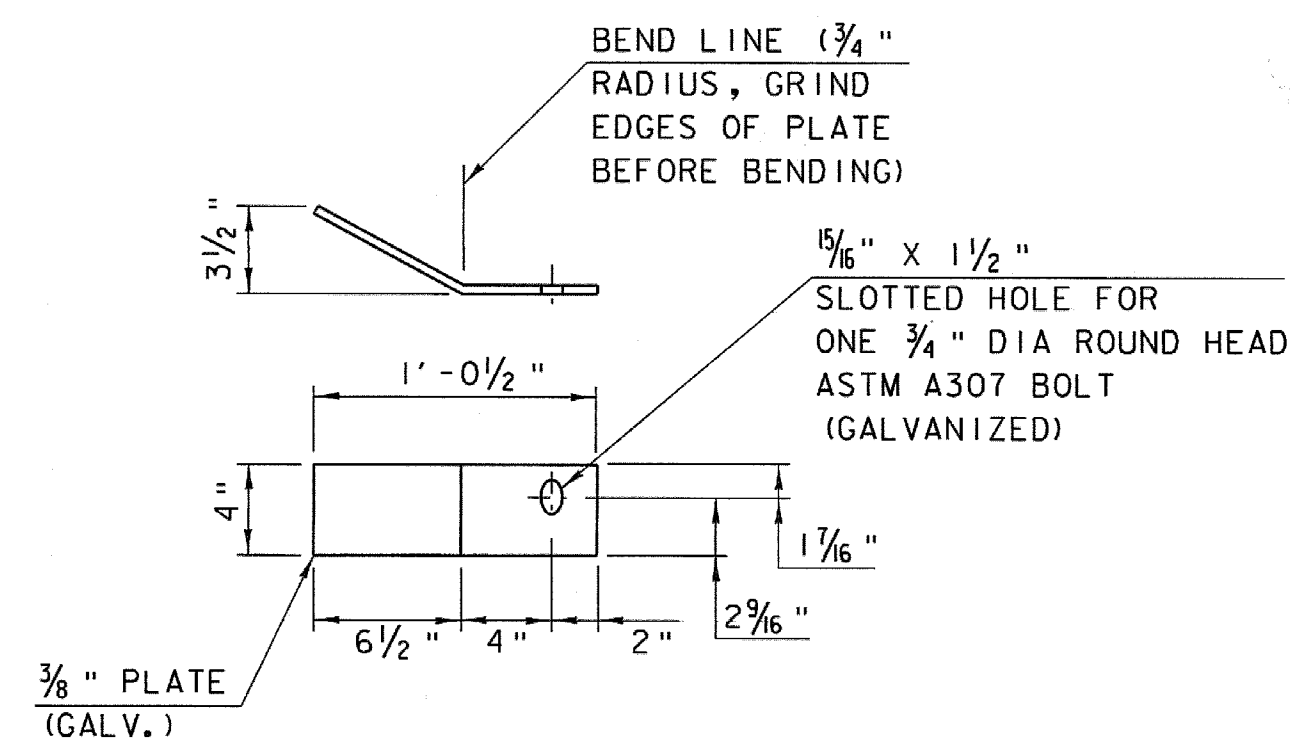


**END CAP DETAIL**

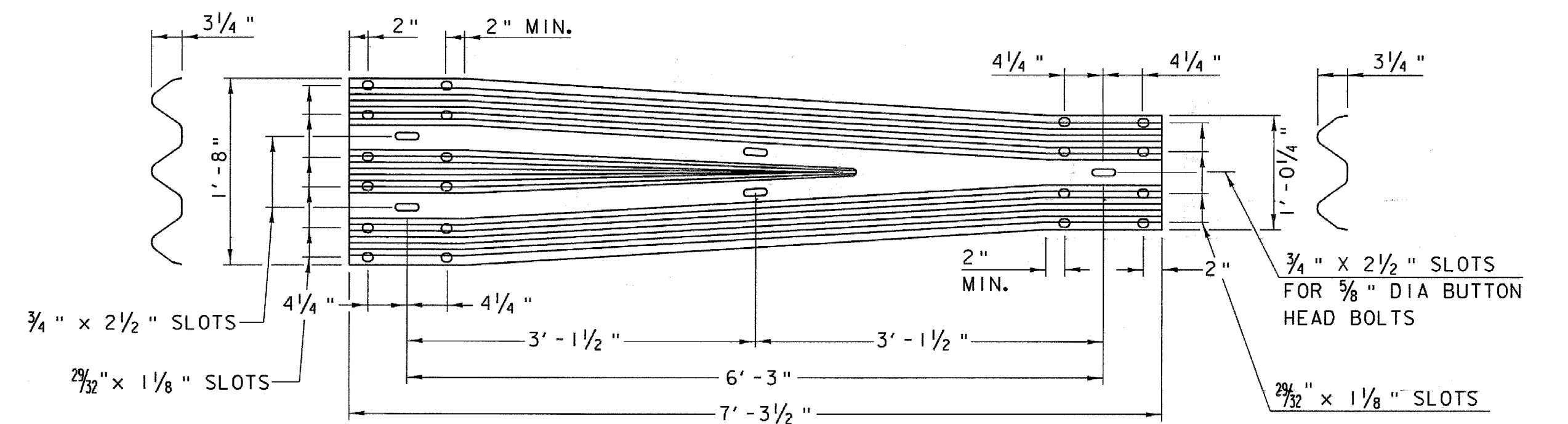
\* ROUND CORNERS 1/2" RADIUS (TYP)



**DELINEATION DEVICE DETAILS**



**DEFLECTOR PLATE DETAIL**



**THRIE-BEAM TO STANDARD STEEL BEAM TRANSITION SECTION (HM-TF-13/RE-69)**

REVISIONS AND CORRECTIONS  
December 14, 2009 - ORIGINAL APPROVAL DATE

APPROVED  
*Wm. Michael Hedys P.E.*  
STRUCTURES ENGINEER  
*Richard Stewart P.E.*  
DIRECTOR OF PROGRAM DEVELOPMENT  
*Mark D. Richter*  
FEDERAL HIGHWAY ADMINISTRATION

**GUARDRAIL APPROACH SECTION,  
GALVANIZED NETC 2 & 4 RAIL**

OTHER STDS. REQUIRED: **C-10**



**STANDARD  
S-363**